

NAME DJ Apolaro
DATE January 2025
TRACK Homestead, FL
EVENT Miami GP

PINION **TRANSMISSION** **SPUR**

<input type="checkbox"/> 15T	<input checked="" type="checkbox"/> 16T	<input type="checkbox"/> 17T	1ST	<input type="checkbox"/> 58T	<input checked="" type="checkbox"/> 59T
<input type="checkbox"/> 20T	<input checked="" type="checkbox"/> 21T	<input type="checkbox"/> 22T	2ND	<input type="checkbox"/> 53T	<input checked="" type="checkbox"/> 54T

SIDE PULLEY

25T(STD) 26T(OPT)

FRONT SHOCKS **REAR**

SHORT STD **TYPE** SHORT STD

Electric Blue **SPRINGS** **Electric Blue**

550 **OIL** # **550**

STD OPTION **O RING** STD OPTION

1-1.3 Hole 2-1.1 Hole 3-0.9 Hole **PISTONS** 1-1.3 Hole 2-1.1 Hole 3-0.9 Hole

FRONT DIFF **REAR**

UP 1mil DIFF UP 120

STD ADJUSTABLE STD

FRONT ANTI-ROLL BAR **REAR**

2.0 mm **1.7** mm

FRONT RIDE HEIGHT **REAR**

6.5 mm **7.5** mm

FRONT WIDTH **REAR**

199 mm **198** mm

TIRES **CONTROLLED**

BRAND Hotrace YES NO

LEFT	FRONT	RIGHT	DIAMETER	LEFT	REAR	RIGHT
63	63	63	64.5	64.5	64.5	64.5

FRONT WHEEL PLATE **REAR**

YES NO **WHEEL PLATE** YES NO

HEX HUB **U (Universal) / D (Drive Shaft)**

STD OPT

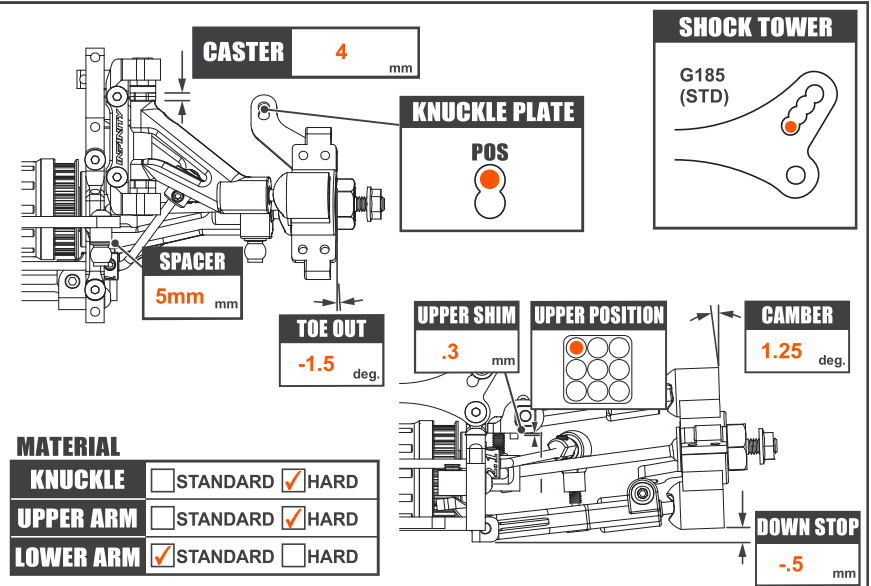
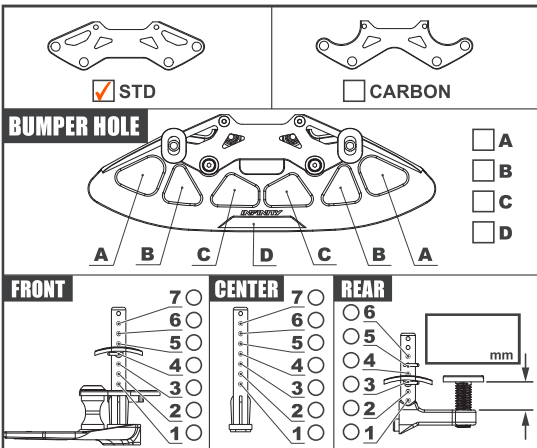
FRONT	REAR
<input type="checkbox"/> 90° U(OPT)	<input type="checkbox"/> 90° U(OPT)
<input checked="" type="checkbox"/> 0° U(STD)	<input type="checkbox"/> 0° D(OPT)
<input checked="" type="checkbox"/> 0° U(STD)	<input checked="" type="checkbox"/> 0° U(STD)

BODY

TYPE Lens

POSITION

WING Standard

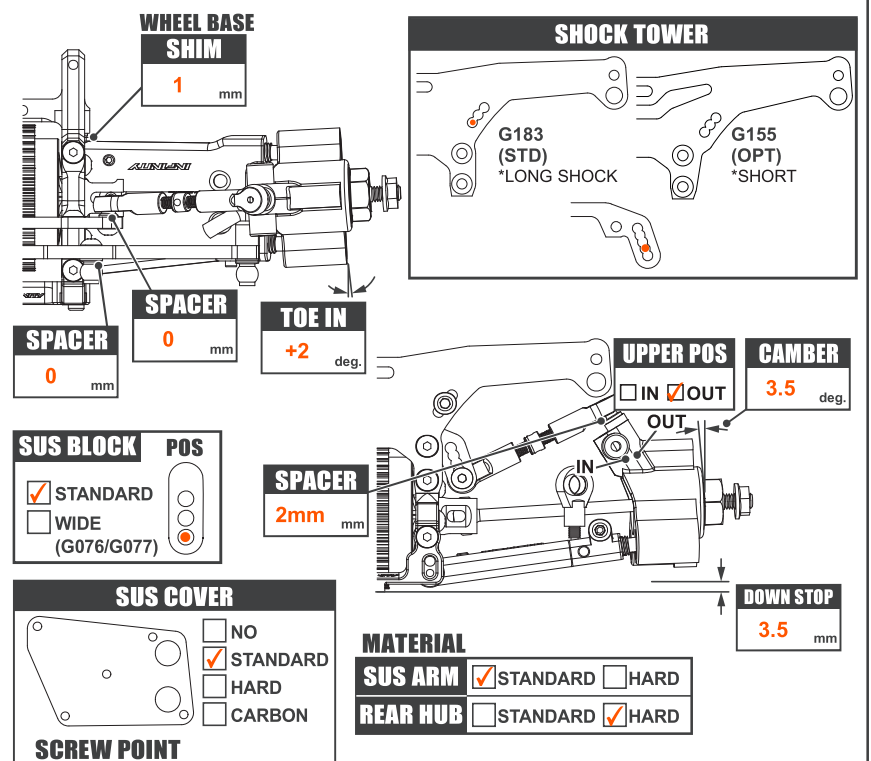


MATERIAL

KNUCKLE STANDARD HARD

UPPER ARM STANDARD HARD

LOWER ARM STANDARD HARD



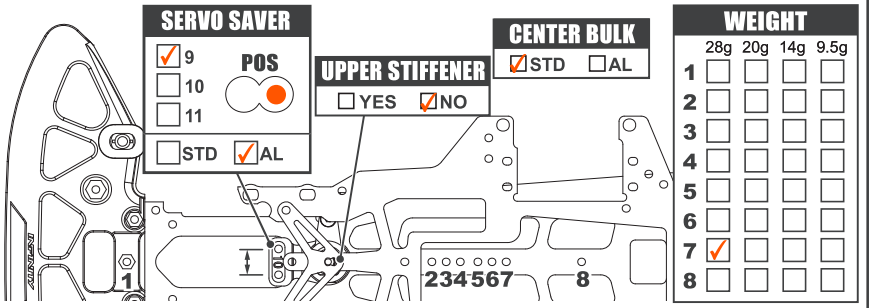
SUS COVER

NO STANDARD HARD CARBON

MATERIAL

SUS ARM STANDARD HARD

REAR HUB STANDARD HARD



CENTER STIFFENER YES NO

REAR CHASSIS STIFFENER YES NO